

cobas p 312 pre-analytical system

Compact automation for maximum efficiency

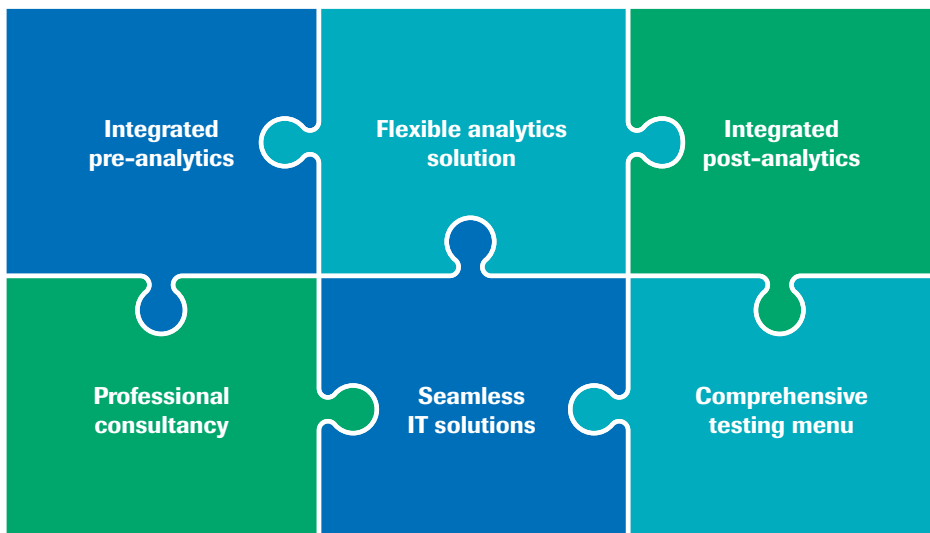


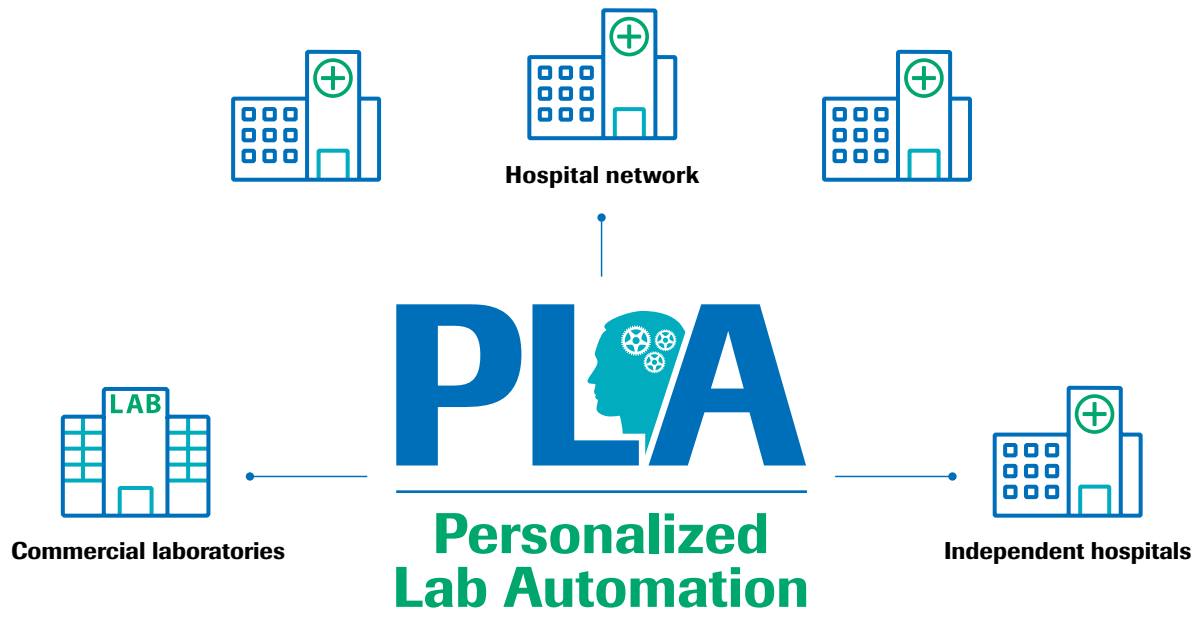
Personalized Lab Automation

*Maximizing Testing Efficiency
and Medical Value*



At Roche, laboratory automated solutions deliver the quality and reliability you expect, with the personalization required by low-, mid- and high-volume laboratories.





1. Virtual Automation

To have the control you need, ensuring quality and efficiency across your lab, Virtual Automation gives you the capability to track your samples and reduce manual tasks through the cobas IT solutions.

2. Standalone Automation

Pre- and post-analytical tasks are automated, offering maximum efficiency through flexible standalone solutions. It significantly reduces manual steps in the lab, enhancing error handling, safety and process quality.

3. Connected Automation

In addition to having all the benefits of Standalone Automation, Connected Automation offers transportation. Physically connecting different instruments allows maximum predictability of time to test results.

cobas p 312 pre-analytical system

Compact automation for maximum efficiency

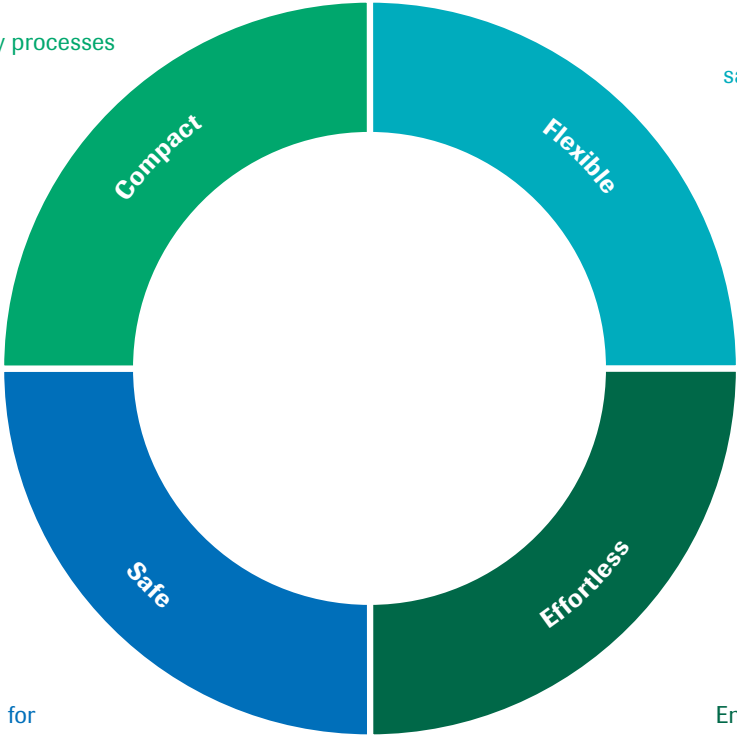


Compact

Automates laboratory processes in less than 1 m²

Flexible

Adapts to the lab's sample handling needs



Safe

Automation validated for cross-contamination compliance

Effortless

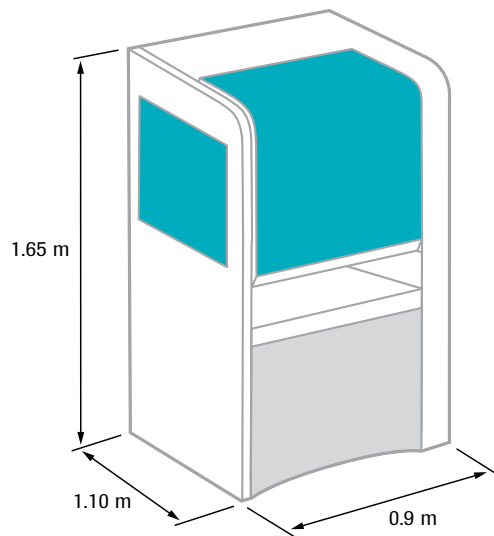
Enables traceability and control of lab process

**Compact –
small footprint but lots of power**

cobas p 312 pre-analytical system is a standalone solution offering maximum efficiency at a minimal space requirement.

- + High throughput of 450 samples/hour
- + Sample registration
- + Decapping
- + Sorting
- + Archiving

= **1 m²**



**Flexible –
convenient single point of entry**

Through convenient sample loading, the **cobas p 312** is the ideal single point of entry for reduced complexity. There is no need to pre-sort sample tubes prior to loading them in the input area.

cobas p 312 can simultaneously process:

- different tube types
- different tube heights
- different tube diameter



cobas p 312 pre-analytical system

A safe choice for standardizing the laboratory process



**Safe –
Validated for cross-contamination compliance**

The **cobas p 312** is validated for both serology and molecular diagnostics testing.

- Clinical laboratory
- NAT virology laboratory
- Blood screening laboratory
- Roche automation is validated for cross-contamination compliance**

**Effortless –
Traceability and control of lab processes**

Standardization of laboratory process is key for fast and consistent results, while reducing errors.

- | | |
|---|-----------------------|
| Chemistry | Immuno-chemistry |
| Hematology | Coagulation |
| Urinalysis | Molecular Diagnostics |
| A solution compatible with all lab disciplines | |

Not limited to



COBAS and COBAS P are trademarks of Roche.
All other trademarks are property of their respective owners.

© 2017 Roche

Published by:
Roche Diagnostics (Schweiz) AG
Industriestrasse 7
CH-6343 Rotkreuz

cobas.com

